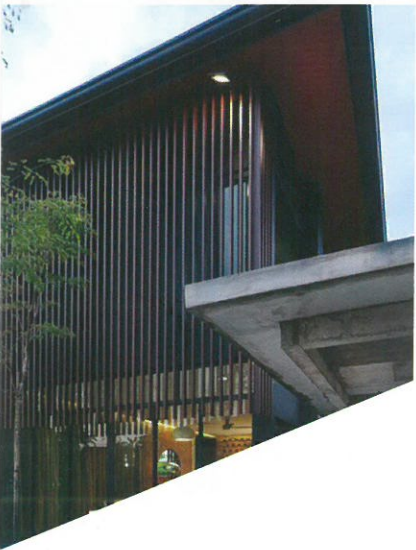




ALCO BOX
LOUVERS



WHY ALCO BOX LOUVERS?

✓ DURABLE

Tough and able to withstand pressure and tear.

✓ SHADING

Control the amount of natural light that enters the room and block the sun's heat.

✓ LOW MAINTENANCE

✓ VENTILATION

Allow air from outside to flow freely indoors.

✓ AESTHETICS

Create a stylish and modern appeal when applied to windows, doors, patios and car parks

✓ LIGHTWEIGHT MATERIAL

Do not create burden to the building.

COLFORM SDN. BHD. (605945-H)

SANDAKAN BRANCH

Lot 197, Lorong Sedco 5, Sedco Light Industrial Estate,
Off Mile 2.5, Jalan Utara, Sandakan, Sabah, Malaysia.
P. O. Box 1166, 90713 Sandakan, Sabah, Malaysia.
Tel: +6089-238 833, 089-272 323 Fax: +6089-272 829

KOTA KINABALU BRANCH

Lot 8, Jalan 2A KKIP Timur, Industrial Zone 12 (IZ12),
Kota Kinabalu Industrial Park (KKIP),
88460 Kota Kinabalu, Sabah, Malaysia.
Tel: +6088-411176 / 016-8322314 Fax: +6088-411136



Another
quality product
from

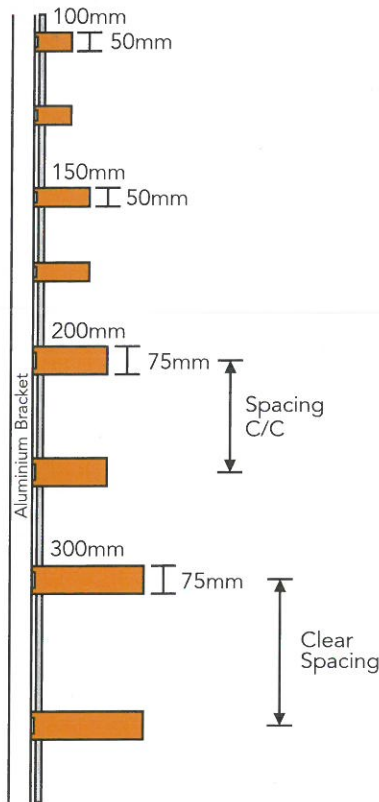


ABOUT ALCO BOX LOUVERS

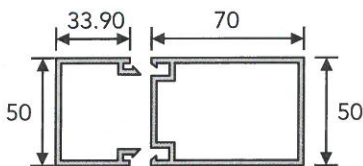
For sleek and stylish building design, Alco Box Louvers play an important role to fulfil the design and enhance the appearance and architecture of buildings.

The Alco Box Louvers are applicable to both internal and external designs and suitable for horizontal or vertical mounting. More design options are allowed for architects as custom-made profile dimensions can be specified. Alco Box Louvers can be mitred at corners to have flush and smooth finishing and the panels end can be capped at both ends to have a solid finish.

The Alco Box Louvers can be either aluminium extruded profiles or CNC folding profiles. Our folding profile is processed by the world known CNC press brake machine manufacturer named "Accurpress" from Canada.

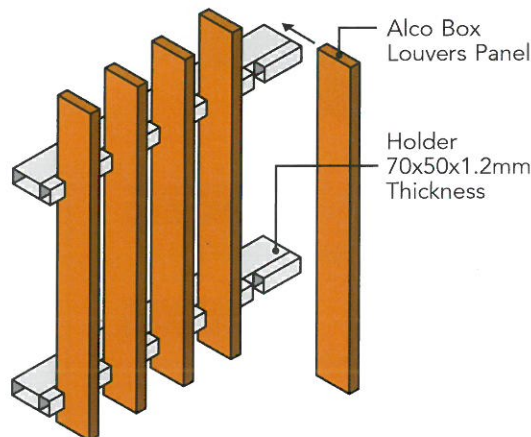
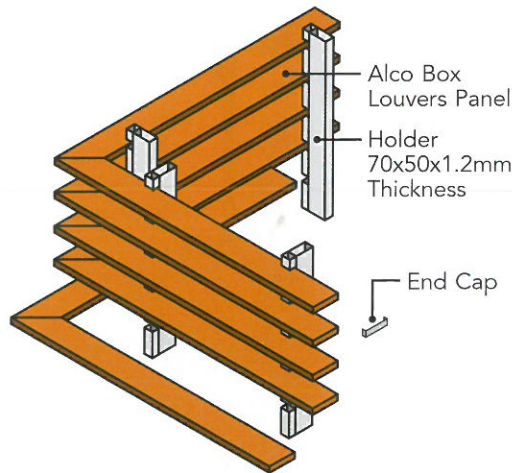


SIDE ELEVATION

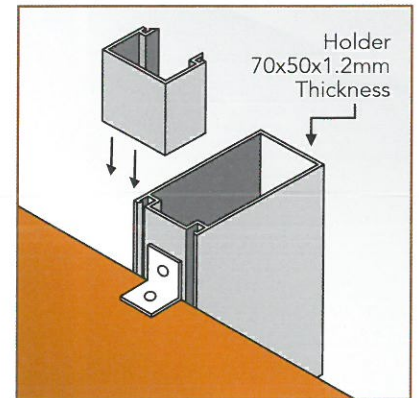


CROSS VIEW OF HOLDER

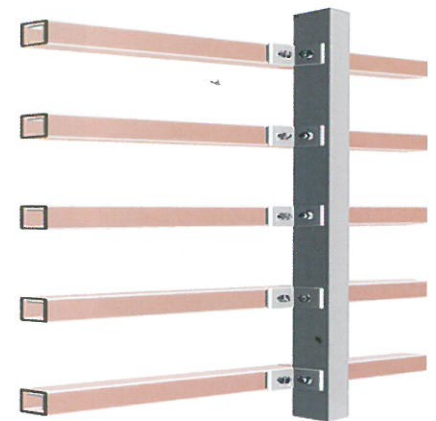
ISOMETRIC VIEW



METHOD OF INSTALLATION



Conceal Holder Bracket



Back Fixing by Angle Bar

PRODUCT SPECIFICATION

	Extrusion Profile	CNC Folding Profile
Profile size (D x W)	25-75, 25-100, 38-75, 38-100, 50-75, 50-100, 75-100, 75-200mm	100-50, 100-75, 150-50, 150-75, 200-75, 200-100, 300-75, 300-100mm
Material	N.A / Powder Coated Aluminium	*Pre-Painted / Powder Coated Aluminium sheet *Pre-Painted / Powder Coated Aluminium-Zinc base steel
Thickness	0.8mm - 2.5mm (Aluminium)	0.50mm - 1.5mm
Length	Max. 6100 MM	Max. 6100 MM
Special Size	Custom made sizes are available upon request.	
Holder Span	* Not exceed 1500mm c/c below 10m height from ground. * Not exceed 1000mm c/c above 10m height from ground.	